

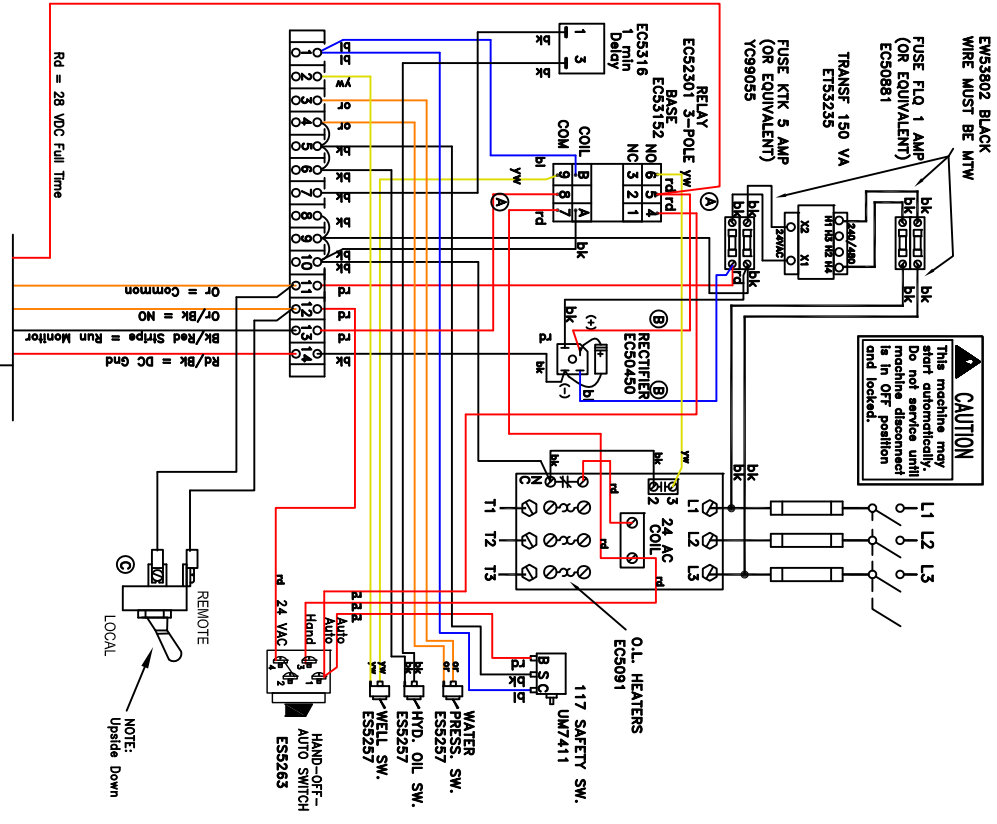
# AgSense Unit Mounted by Allen Bradley Pivot Panel

## AgSense MODIFICATION USING 3 POLE RELAY

**NOTE - FIELD WIRING CHANGES**

- Replace Ice Cube 24VAC Relay with 3 Pole, Add wires to Relay Base.
- Change wiring to Rectifier to provide "Full Time" power to AgSense.
- Drill Hole and add Remote/Local Toggle Switch.

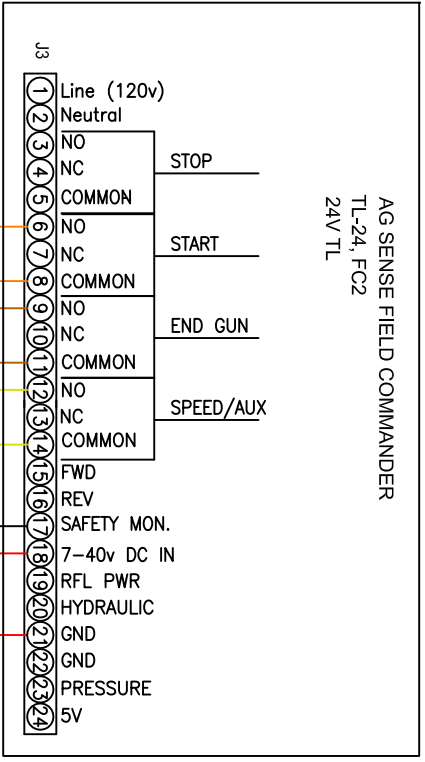
WIRING DIAGRAM T-1 ELECTRIC DRIVEN HYDRAULIC PUMP  
CD5178 SPECIAL 8/2/12



Rd = 28 VDC Full Time

Or = Common  
Or/Bk = NO  
Bk/Red Stripe = Run Monitor

NOTE:  
Upside Down



AG SENSE FIELD COMMANDER  
TL-24, FC2  
24V TL