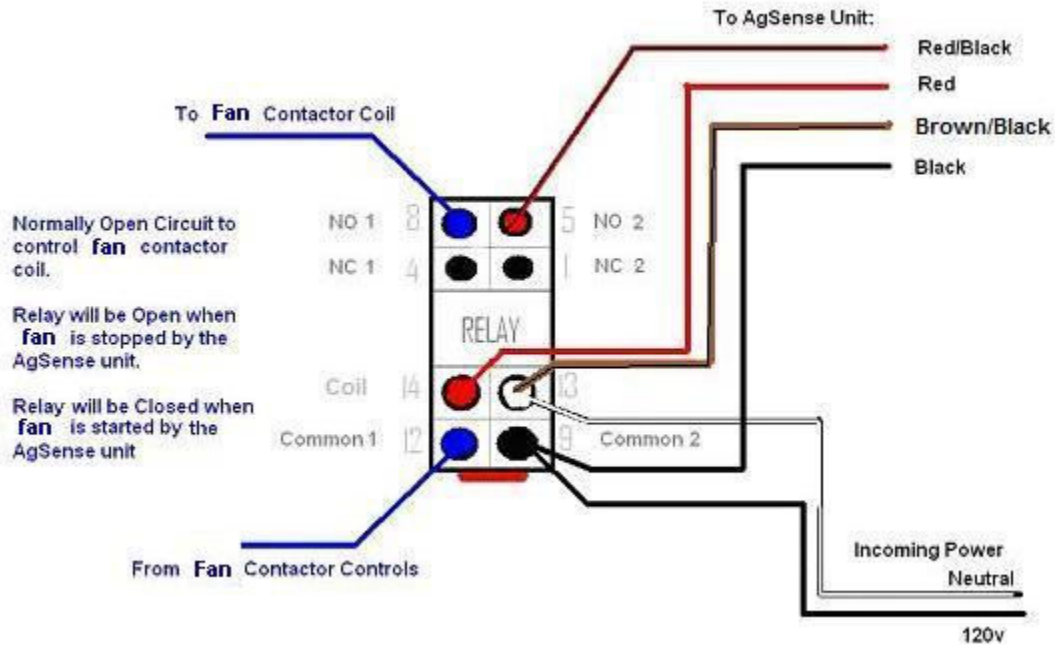


Fan Control Using Start a Pivot Point Pro:

- Make sure wiring is connected so the unit has 120v power all the time.
- A DPDT relay 120v coil (purchased from agsense) needs to be used to control the fan contactor. (relay contacts can handle up to 277v 10A)



When “start” is sent to the unit from the web/cell, the fan control relay will turn on and stay on. When “stop” is sent to the unit from the web/cell, the fan control relay will turn off and stay off until started from the web/cell again.

NOTE: Agsense Unit wiring show is for 2009 (Comm4 – single board inside unit)

For 2008 (3 stacked boards inside unit) – the wire shown in the picture as Brown/Black will actually be an Orange wire.

Power Requirements for these units:

DC Powered Unit 7-40V DC:

At 12v DC: 1.0A MAX

0.1A - 0.5A during normal operation

120vAC Powered Unit:

At 120v AC: 0.25A MAX

0.05A - 0.15A during normal operation

The above numbers are the current required for our unit to operate. Below is the current the relays in our box can control:

On both AC and DC units, each relay can handle a peak max of 10A, 5A constant (at a max voltage of 120vAC, or 30vDC).