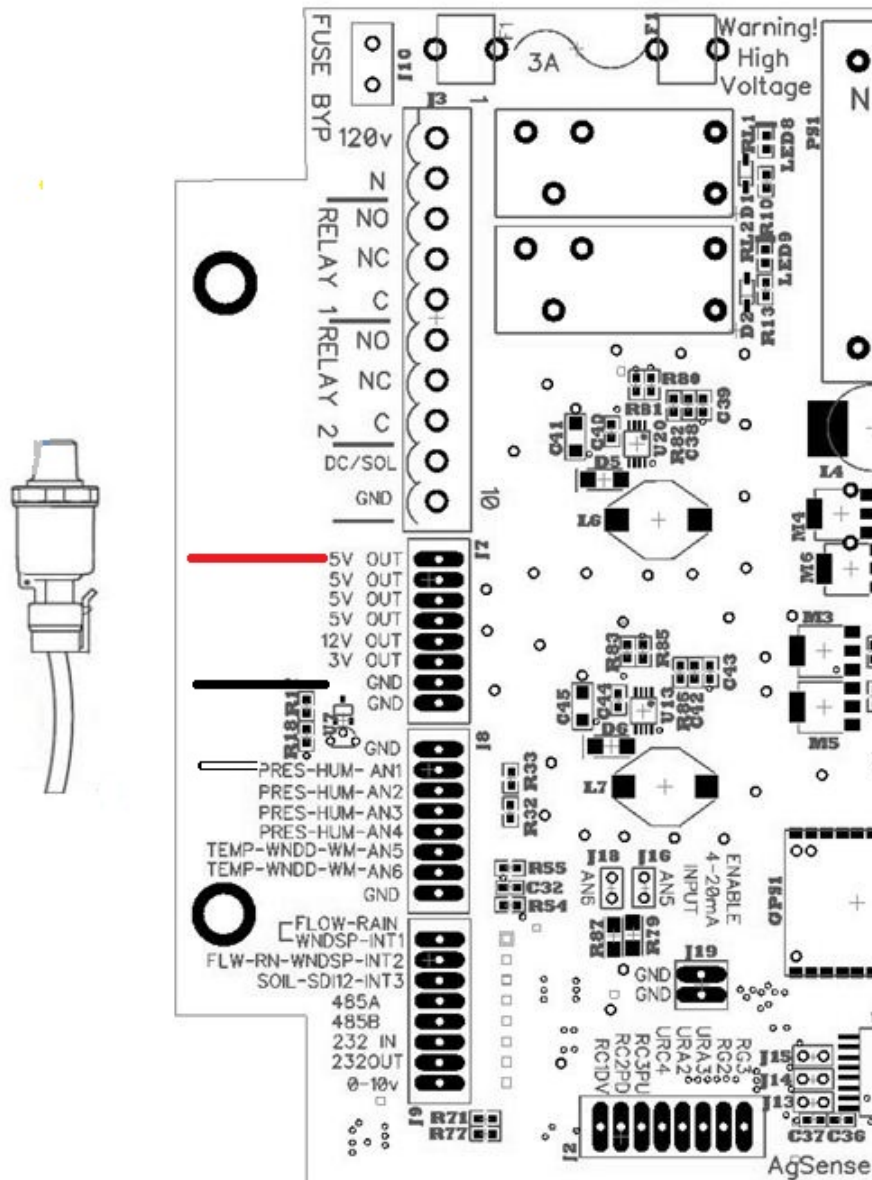


Pressure transducer or switch (or Float switch) wiring in a croplink



The pressure transducer is wired into the crop link as follows:

- Red will connect to 5V out
- Black will connect to GND
- White can connect to ANLG1 to ANLG4

Pressure switch (or float switch) is connected into the croplink as follows:

- One wire connects to 5V out
- The other connects to either ANLG1, or ANLG2, or ANLG3, or ANLG4